

Canon imageCLASS® MF4270 Laser Multifunction

DUPLEX PRINTER | DIGITAL COPIER | SUPER G3 FAX
COLOR SCANNER | NETWORK CAPABILITIES



A Network-Ready Multifunction for a Small Office

- Built-in Networking
- Fast 21 ppm/cpm laser output
- Up to 1200 x 600 dpi quality print resolution
- Duplex (2-sided) printing
- 35-page Automatic Document Feeder
- 250-sheet front-loading paper cassette
- 33.6Kbps Super G3 fax
- Up to 256 pages fax memory
- Up to 9600 dpi color scanning
- Up to 8.5" x 14" scan size
- USB 2.0 Hi-Speed for optimal performance*
- Windows® and Mac® compatible**
- Single Cartridge System

* USB 2.0 Hi-Speed requires Windows XP SP1 or Windows 2000 SP4
** Mac® OS X 10.2.8 & up (print and fax only)

Product Specifications

Printer Specifications

Duplex Print	Yes (A4/letter)
Printer Type	Monochrome Laser
Print Speed	Up to 21 ppm (letter)
Print Language	UFR II-LT (Host-based)
Print Resolution	Up to 600 x 600 dpi; 1200 x 600 dpi quality
Print Memory	32MB (Shared)

Copier Specifications

Duplex Function	Yes, Automatic 1 → 2 sided (A4/letter)
Copier Type	Monochrome Laser
Copy Speed	Up to 21 cpm (letter)
Copy Resolution	Up to 600 x 600 dpi
Halftones	256 levels
Warm-up Time	10 seconds from Power ON
First Copy Time	Less than 9 seconds
Paper Source(s)	250-sheet cassette, single-sheet multipurpose tray
Paper Weight	17 to 34 lb. (cassette), 17 to 43 lb. (multipurpose tray)
Paper Output	100 sheets (face down)
Reduction/Enlargement	50%, 64%, 78% / 129%, 200%
Zoom	50-200% in 1% increments
Document Feeder	35-sheet ¹
Copy Size	Platen: Up to 8.5" x 11.7"; ADF: Up to 8.5" x 14"
Copy Features	Memory Sort, Toner Saver Mode, 2 on 1
Copy Memory	32MB (Shared)

Fax/PC Fax Specifications

Modem Speed	33.6 Kbps (Super G3)
Fax Resolution	Up to 203 x 391 dpi (Super Fine)
Memory Capacity	Up to 256 pages ²
Speed Dials	8 one-touch speed dials/100 coded dials
Receive Modes	Fax Only, Manual, Answering, DRPD, Fax/Tel Auto Switch
Fax Features	Remote RX, Dual Access, two-sided output
PC Fax	Yes (sending only)

Scan Specifications

Scanner Type	Color Contact Image Sensor (CIS)
Scan Resolution	Up to 600 x 1200 dpi (optical); 9600 x 9600 dpi (interpolated)
Color Depth	24-bit
Document Size	Platen: Up to 8.5" x 11.7"; ADF: Up to 8.5" x 14"
Compatibility	TWAIN, WIA
Output File Formats	JPEG, PDF, TIFF, BMP

Interface/Software

Standard Interface(s)	USB 2.0 Hi-Speed ³
Network Interface	10/100 Base T
Bundled Software	Canon UFR II-LT for Windows®, ScanSoft® OmniPage® SE (OCR), NewSoft® Presto! PageManager
OS Compatibility	Windows Vista™, XP, 2000, Server 2003 and Mac® OS X 10.2.8 & up (print and fax only)

General Specifications

Dimensions	15.4"(W) x 17.4"(D) x 17.9"(H); 15.4"(W) x 21"(D) x 17.9"(H) (extended)
Weight	27.6 lbs.
Power Consumption	3W (Energy Saver Mode)
Warranty	1 year limited warranty ⁴ (Extended warranty available)
Replacement Consumable	Canon Cartridge 104 (Starter cartridge included)
Cartridge Type	Single Cartridge System



COPINITIDO Canon Ltd.

www.copinitido.ws

PBX: 433 33 00

Canon

image*ANYWARE*

¹ Based on 20 lb. paper.

² Based on ITU-T #1 Chart (standard mode).

³ USB 2.0 Hi-Speed performance requires Windows XP SP1 or Windows 2000 SP4 with pre-installed USB 2.0 port.

⁴ Warranty program is subject to certain conditions and restrictions. See the warranty card for full details.

COPINITIDO

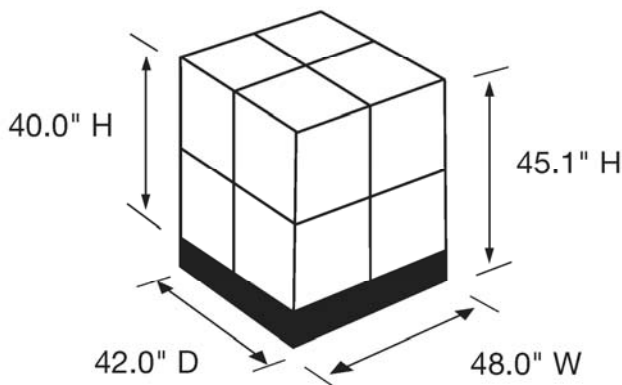
Canon imageCLASS® MF4270 Laser Multifunction

DUPLEX PRINTER | DIGITAL COPIER | SUPER G3 FAX
COLOR SCANNER | NETWORK CAPABILITIES



Ordering Information

MODEL NO.	DESCRIPTION	ITEM NO.	UPC CODE
imageCLASS® MF4270	Laser Multifunction Duplex Printer Digital Copier Super G3 Fax Color Scanner Network Capabilities	2235B001AA	0 13803 08861 8
ACCESSORIES			
Cartridge 104 (yields 2,000 pages based on 5% coverage)	Toner Cartridge	0263B001AA	0 13803 04997 8
imageCLASS® MF4270 Carepak	2 Year Exchange/Carry In Carepak	6521A031AA	6 60685 00170 1



8 boxes per pallet

www.copinitido.ws
PBX: 433 33 00

Pallet Information

ORIGIN

Country of origin Korea

PRODUCT INFORMATION

Individual box dimensions 21.3"(W) x 21.0"(D) x 20.0"(H)
Individual unit dimensions 15.4"(W) x 17.4"(D) x 17.9"(H)
Individual unit dimensions (extended) 15.4"(W) x 21"(D) x 17.9"(H)
Weight of individual box 40.5 lbs.
Weight of individual unit 27.6 lbs.

PALLET INFORMATION

Number of boxes per pallet 8
Pallet dimensions (pallet and boxes) 48.0"(W) x 42.0"(D) x 45.1"(H)
Dimensions without pallet 42.6"(W) x 42.0"(D) x 40.0"(H)
Pallet weight 402.4 lbs.

DATES

Availability September 2007



Canon
image*ANYWARE*

©2007 Canon U.S.A., Inc. Canon and imageCLASS are registered trademarks of Canon Inc. The Super G3 logo is a trademark of Canon Inc. IMAGEANYWARE is a trademark of Canon U.S.A., Inc. Microsoft, Windows, the Windows logo, Windows Vista and Windows NT are either trademarks or registered trademarks of Microsoft Corporation in the United States and/or other countries. Mac and the Mac logo are trademarks of Apple Computer, Inc., registered in the United States and other countries. All other product and brand names are trademarks of their respective owners. Specifications are subject to change without notice. As an ENERGY STAR partner, Canon U.S.A., Inc. has determined that this product meets the ENERGY STAR guidelines for energy efficiency. The limited warranty given by Canon U.S.A., Inc. is for Canon imageCLASS MF4270 model purchased and used in the United States.